



**Sea-Lix**

Energy and Smart Water Solutions

**P O G M O**

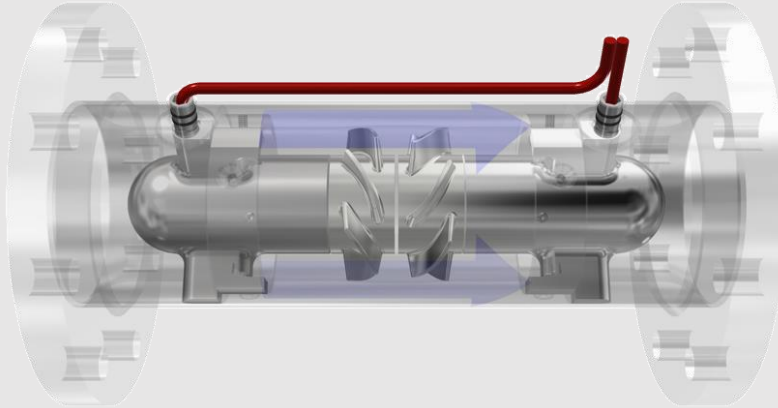
POWER OFF GRID  
MONITORING

AUTONOMOUS MONITORING  
IN WATER DISTRIBUTION  
NETWORKS

2 0 1 8

[www.sea-lix.com](http://www.sea-lix.com)

# POGMO



POWER FOR MONITORING AND  
COMMUNICATION R

P O W E R I N G  
S M A R T W A T E R  
N E T W O R K S

**POGO by Sea-Lix is a game-changing combined off grid power supply unit and flowmeter – securing power for monitoring, real-time communication and control in Smart Water Networks.**

The smaller **POGMI** is sufficiently powerful for sensors and communication. The **POGMO** generate enough power to feed monitoring systems, drive actuators and motors and ensure communication – also online/ continuously and 2-way. It also operate as a turbine flowmeter – generating high-accuracy flow data.

While both the **POGMI** as well as the **POGMO** offer great capabilities by themselves, combined they enable the introduction of **SMART** pressure management based on consumption. Furthermore, they provide necessary infrastructure for cost efficient monitoring providing vital data improving the overall network performance.

Water utilities can save an estimated € 6.1 – 10.7 billion annually by implementing Smart Water technologies. We provide you with the power required.

## Highlights

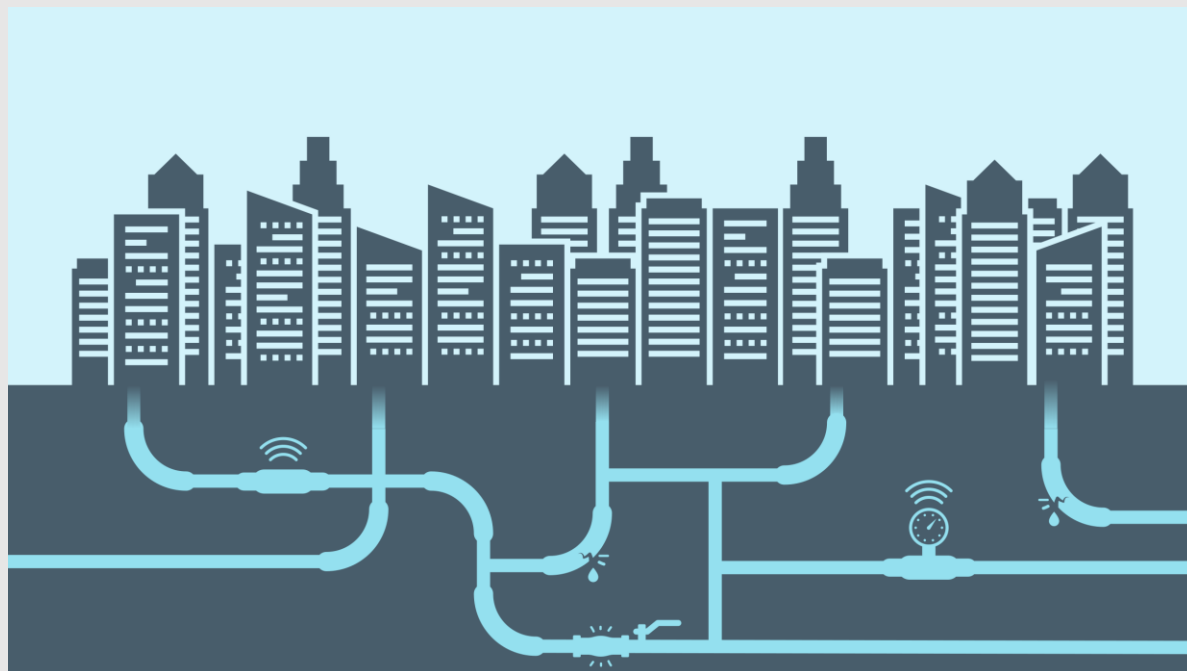
- ▶ Autonomous secure power supply
- ▶ Flowmeter
- ▶ Monitoring, communication and control
- ▶ Plug and Play
- ▶ Compact and easily integrated
- ▶ Minimal head loss

+47 22 69 75 00  
[sales@sea-lix.com](mailto:sales@sea-lix.com)  
[www.sea-lix.com](http://www.sea-lix.com)

Sea-Lix AS  
Kristian Augusts gate 7 A  
0164 Oslo  
Norway



# AUTONOMOUS MONITORING, COMMUNICATION AND CONTROL IN DRINKING WATER NETWORKS



PARAMETERS	POGMO F80	POGMO F100	POGMO F150
CONNECTION	Flange	Flange	Flange
SIZE	DN80	DN100	DN150
LENGTH (mm)	350	350	350
WEIGHT (kg)	16	17,5	23
TEMPERATURE (°C)	-20 til 50	-20 til 50	-20 til 50
INGRESS PROTECTION <sup>1</sup> (IP)	64	64	64
PRESSURE CLASS (PN)	16	16	16
PRESSURE LOSS, MAX. (Bar)	0,6 @ 20 l/s	0,6 @ 20 l/s	0,6 @ 20 l/s
GENERATOR (W)	200	200	200
VOLTAGE (VDC)	12/24/48	12/24/48	12/24/48
CHARGING CAP. <sup>2</sup> (Wt/24 hrs)	1500	1500	1500
STORAGE CAPACITY, UPS (Wt)	1500	1500	1500

<sup>1</sup> OPTIONALLY DELIVERED AS IP68

<sup>2</sup> ALTERNATIVE GENERATORS AND POWER OUTPUTS ARE AVAILABLE

POGMO GENERATE ENERGY FOR MONITORING, COMMUNICATION AND CONTROL. ADDITIONALLY, THE UNIT OPERATE AS A TURBINE-FLOWMETER

# POGMO



**Sea-Lix AS** • Company no.: 997 615 506 • VAT number: 997 615 506 MVA.  
**Tel: +4722697500** • [post@sea-lix.com](mailto:post@sea-lix.com) • [www.sea-lix.com](http://www.sea-lix.com)  
**Office:** Kristian Augusts Gate 7 A • 0164 Oslo • Norway  
**Post:** PO Box 9 • 2005 Rælingen • Norway